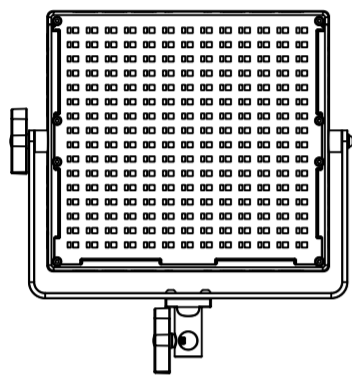


## ■ Product Introduction

Featuring 416 LEDs(208 LED and 208 RGB Beads), the DR728RGBW bi-color LED video light from DRACAST, is an ideal choice for location work, interviews and small sets where color accuracy, control and flicker-free output are of major importance. The DR728RGBW have two output modes. The first mode is variable color temperature from 2000K-5600K or anywhere in between means that you can quickly match the prevailing ambient or artificial light balance with a simple twist of a knob. The second mode allows you to change the Red, Green and Blue Color output and color saturation from 0-100%. Dimming is equally convenient via another knob that adjusts the light intensity from 100-0% with negligible color shift. One of the light's enhancements is wireless Multi-Light Control Capability whereby you can make color and dimming adjustments to a single master light and other lights in a group will follow suit. The durable aluminum frame is supported by a sturdy, U-shaped yoke with locking knobs and a standard 5/8" receiver. The DR728RGBW can be used worldwide, powered by the included 100-240 VAC adapter or by optional V-mount batteries.

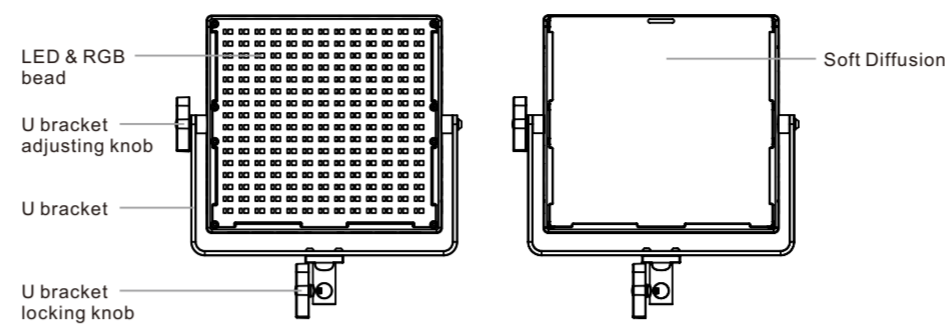
## ■ Main Features



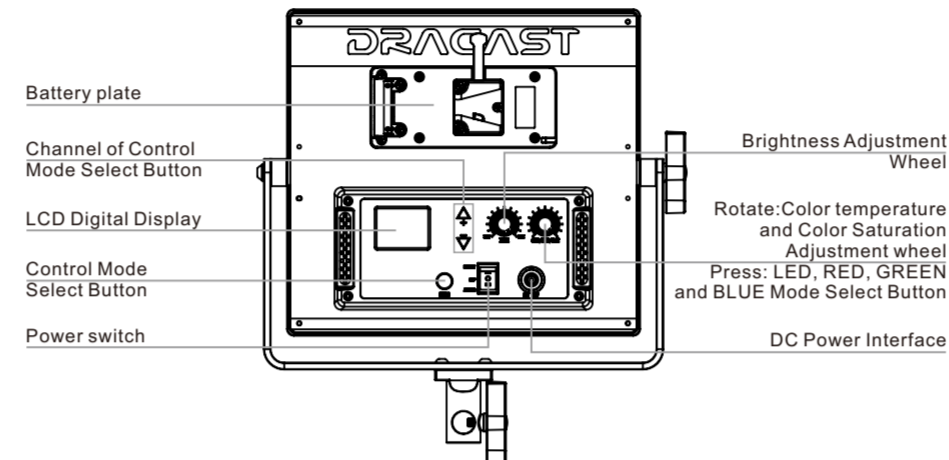
- Ultra Heat Dissipation
- Delicate Design with Aviation Aluminum Alloy Housing
- High Color Rendering Index, CRI96+
- LCD digital display
- PWM Dimming Technology
- Brightness Adjustment
- Color Temperature Adjustment
- Red, Green and Blue RGB Modes
- Multi-Light Control Modes
- Dual Power System
- Convenient Light Set-UP and Stabilization System

1

## ■ Front View



## ■ Back View



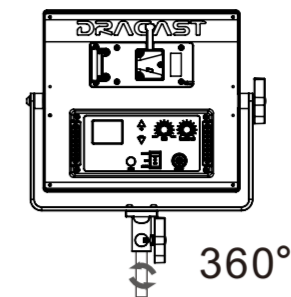
## ■ Accessories



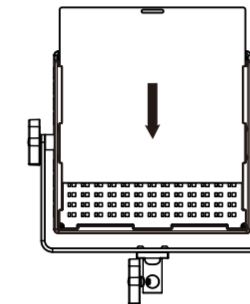
2

## ■ Operations

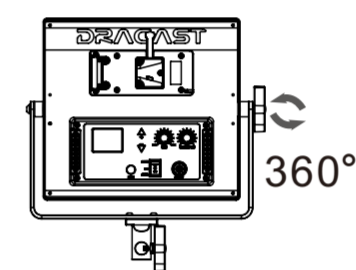
- 1 Install the light on the light stand by rotating clockwise, counterclockwise to uninstall it.



- 2 Insert the soft diffusion into the light panel sides.



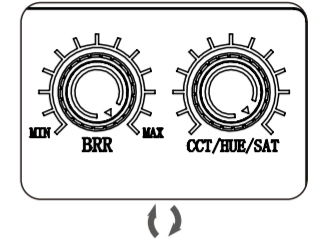
- 3 Insert the DC adapter / Put on the battery. Turn on the power switch.



- 4 Rotate the " BRR " adjustment wheel clockwise to increase your brightness.

Select the color mode you need by press the " CCT / HUE / SAT " Wheel to change the LED / RED / GREEN / BLUE mode.

Rotate the " CCT / HUE / SAT " adjustment wheel clockwise to increase your color temperature or color saturation.

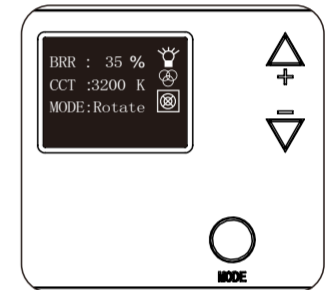


- 5 Select the control mode you need with the mode button.

Rotate Mode:  
Adjust the wheel to control the light by your hand.

IR Mode:  
Give up controlling the light by itself to the same group master light.

Remote Mode:  
As a master controller to control the same channel IR Mode group lights.



3

## ■ Specifications

Mode	DR728RGBW	Color Temperature	2000-5600(±50)
RGB	Red, Green and Blue from 0-100%	Power Consumption	50W
LEDS	208 LED and 208 RGB beads	Size	12.44*12.99*2.6 Inch
CRI	96+	Weight	4.19lb
Voltage	DC15V		

### Attention

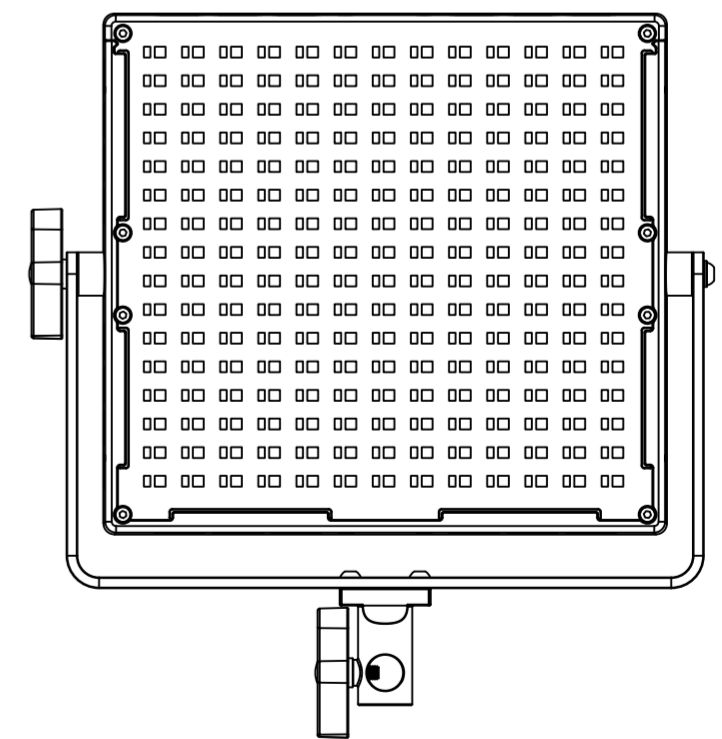
1. Do not look at the working light directly.
2. Do not cover the working light, or it will avoid the product cooling to damage it.
3. Do not place the Light at flammable items such as alcohol, gasoline or near volatile solvent.
4. Do not place any liquid on the Light interior or fall into the Light.
5. Power off when you finish use the Light in case of a fire.
6. Carefully to move the Light in case of dropping it down.

4

# DRACAST

www.dracast.com

# DRACAST



DR728RGBW

Product Manual