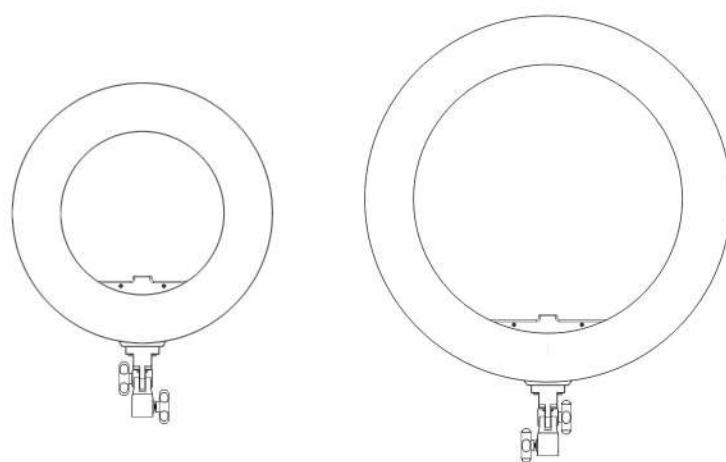


Product Introduction

The Dracast Ring Light is a series of professional photography LED light. It contains four versions: DRRNG140D, DRRNG140B, DRRNG180D and DRRNG180B. DRRNG140D/B is made of 192 SMD beads and DRRNG180D/B is 252. DRRNG140D/180D supports you to adjust brightness, DRRNG140B/180B supports you to adjust the brightness and color temperature at the same time. The ring light has an exceptional color rendering index of 96+ and light consistently. Meanwhile the practical soft diffusion and 180° rotation yoke improve your light set-up and stabilization system.

Main Features

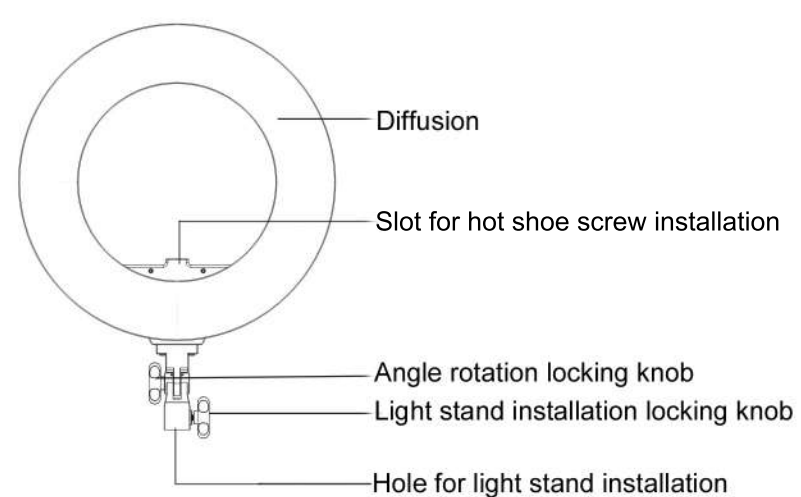


DRRNG140D
DRRNG140B

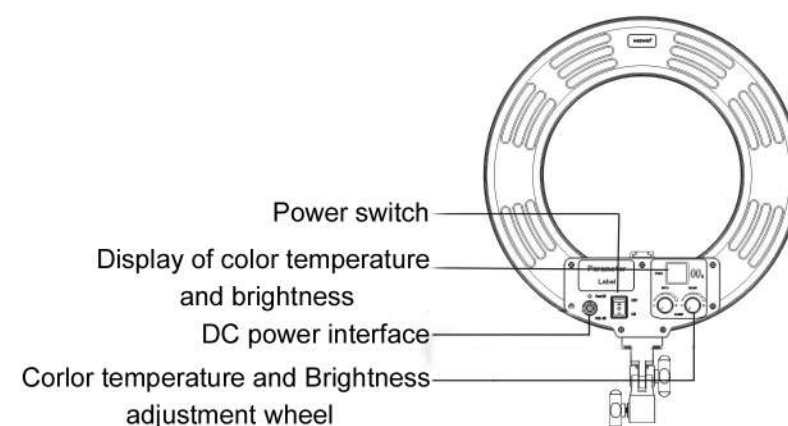
DRRNG180D
DRRNG180B

- Ultra Heat Dissipation
- Delicate Design with Engineering Plastic Housing
- High Color Rendering Index, CRI 96+
- PWM Dimming Technology
- Brightness Adjustment
- Color Temperature Adjustment
- Convenient Light Set-Up and stabilization system

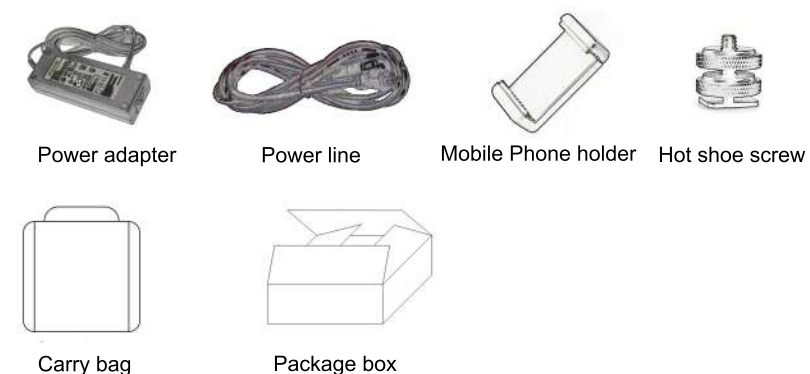
Front View



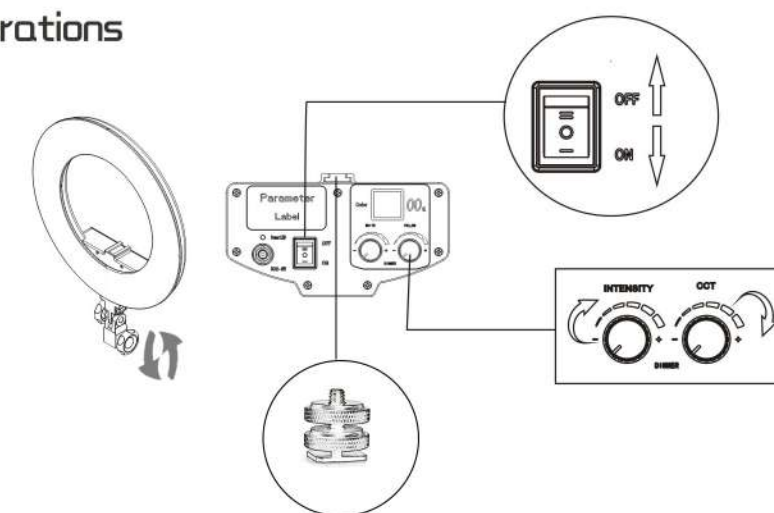
Back View



Accessories




Operations



1. Install the ring light on the light stand by rotating the locking knob.
2. Insert the DC adapter. Turn on the power switch.
3. Rotate the brightness or color temperature adjustment wheel to choose the brightness or color temperature.
4. Insert the hot shoe screw into the slot, mount the mobile phone holder or camera on the light.

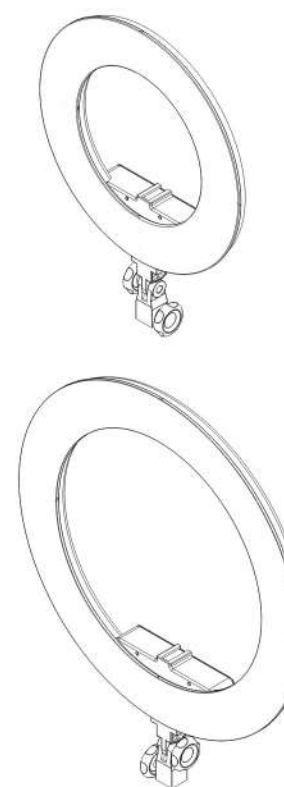
Specifications

Model	DRRNG140D DRRNG140B	DRRNG180D DRRNG180B
Details		
LED Bead	192	252
CRI	96+	96+
Voltage	DC 15V	DC 15V
Color temperature	5600(±50) 3200~5600(±50)	5600(±50) 3200~5600(±50)
Power Consumption	36W	55W
Size	345x442x47mm	485x582x47mm
Weight	860g/30.3oz	1160g/40.9oz

Attention

1. Do not look at the working light directly.
2. Do not cover the light while it is in operation; covering the light will cause the product to cool improperly and possibly damage it.
3. Do not place the light near flammable items, such as alcohol, gasoline, or volatile solvent.
4. Do not place or let liquid seep into or on the light interior.
5. Power off the light when you finish use to avoid fire. In case of fire, power the unit off.
6. Carefully move the light in case of dropping it down.

DRACAST



DRACAST

www.dracast.com

DRRNG140D DRRNG140B
DRRNG180D DRRNG180B

Product Manual